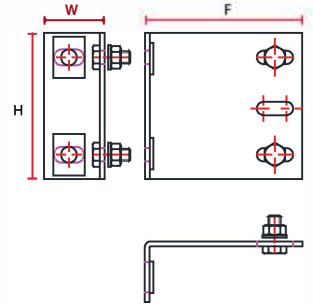


# HMP Steel channel supports & restraints product details

## HCSP3 Channel Support



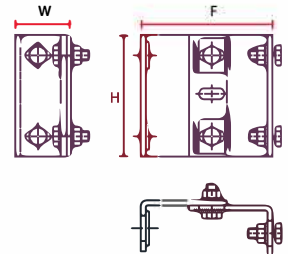
Product code	Width W (mm)	Height H (mm)	Form size F (mm)	Hex screw	Exp. Bolt	Max Load (N)	Max wind load (N)
HCSP3-55	50	120	55	M10x25	M10x90	5000	2800
HCSP3-70	50	120	70	M10x25	M10x90	5000	2800
HCSP3-85	50	120	85	M10x25	M10x90	4500	2800
HCSP3-105	50	120	105	M10x25	M10x90	3500	2800
HCSP3-125	50	120	125	M10x25	M10x90	3000	2800
HCSP3-145	50	120	145	M10x25	M10x90	2500	2800
HCSP3-165	50	120	165	M10x25	M10x90	2500	2800
HCSP3-185	50	120	190	M10x25	M10x90	2500	2800
HCSP3-205	60	120	210	M10x25	M10x90	2500	2800
HCSP3-225	60	120	230	M10x25	M10x90	2500	2800



## HCSP5 Channel Support



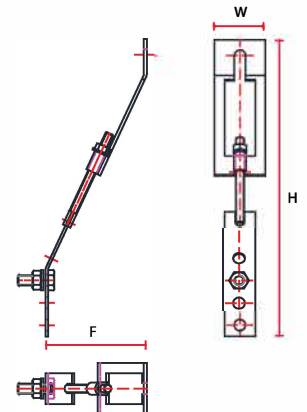
Product code	Width W (mm)	Height H (mm)	Form size F (mm)	Hex screw	Exp. Bolt	Max Load (N)	Max wind load (N)
HCSP5-130	50	120	130	M10x25	M10x90	3600	2600
HCSP5-150	50	120	150	M10x25	M10x90	3600	2600
HCSP5-170	50	120	170	M10x25	M10x90	3600	2600
HCSP6-190	50	120	190	M10x25	M10x90	3600	2600
HCSP5-210	60	120	210	M10x25	M10x90	3500	2600
HCSP5-230	60	120	230	M10x25	M10x90	3500	2600
HCSP5-250	60	120	250	M10x25	M10x90	3000	2600
HCSP5-270	60	120	270	M10x25	M10x90	2800	2600
HCSP5-290	60	120	290	M10x25	M10x90	2500	2600
HCSP3-310	60	120	310	M10x25	M10x90	2500	2600



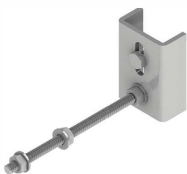
## ATS-S Channel Support



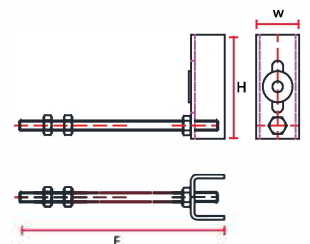
Product code	Width W (mm)	Height H (mm)	Form size F (mm)	Hex screw	Exp. Bolt	Max Load (N)	Max wind load (N)
ATS-100	50	290	100	M12x40	M12x110	5000	3000
ATS-140	50	375	140	M12x40	M12x110	5000	3000
ATS-180	50	460	180	M12x40	M12x110	5000	3000
ATS-220	50	550	220	M12x40	M12x110	5000	3000
ATS-260	50	635	260	M12x40	M12x110	5000	3000
ATS-300	50	710	300	M12x40	M12x110	5000	3000



## HCRS Channel Restraint



Product code	Width W (mm)	Height H (mm)	Form size F (mm)	Thread Metric (mm)	Exp. Bolt	Max wind load (N)
HCRS-80	50	80	80	M8	M8x100	3000
HCRS-100	50	80	100	M8	M8x100	3000
HCRS-120	50	80	120	M8	M8x100	3000
HCRS-140	50	80	140	M8	M8x100	3000
HCRS-160	50	80	160	M8	M8x100	3000
HCRS-180	50	80	180	M8	M8x100	3000
HCRS-210	50	80	210	M8	M8x100	3000
HCRS-240	50	80	240	M8	M8x100	3000
HCRS-270	50	80	270	M8	M8x100	3000
HCRS-300	50	120	300	M8	M8x100	3000



- Material : Stainless Steel 1.4301 (A2) & 1.4401 (A4) & Hot Dip Galvanized Steel
- Table above is prepared according to Eurocode standards
- Loads stated are working resistance loads
- Expansion bolts are provided separately
- More sizes available upon request