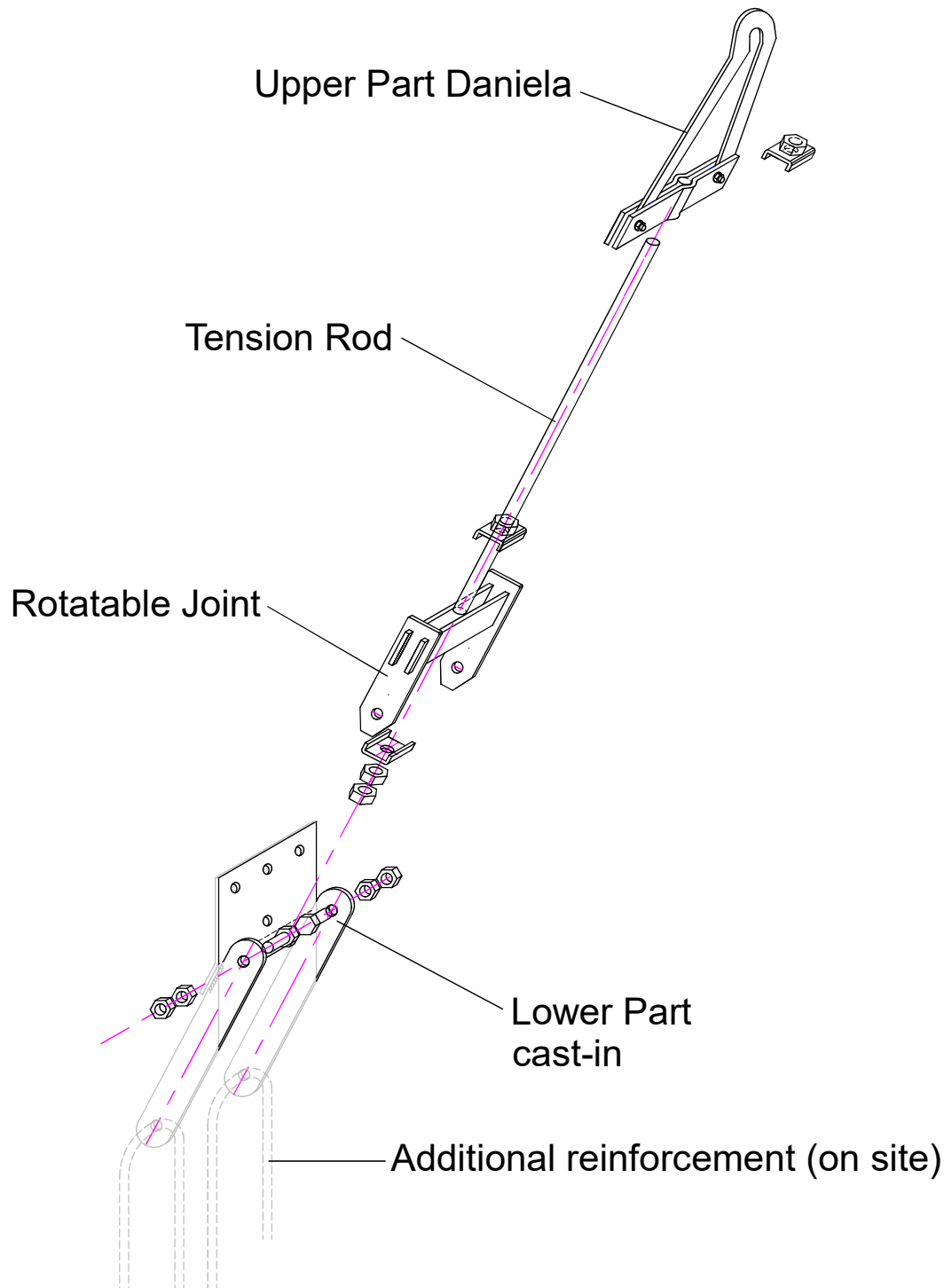


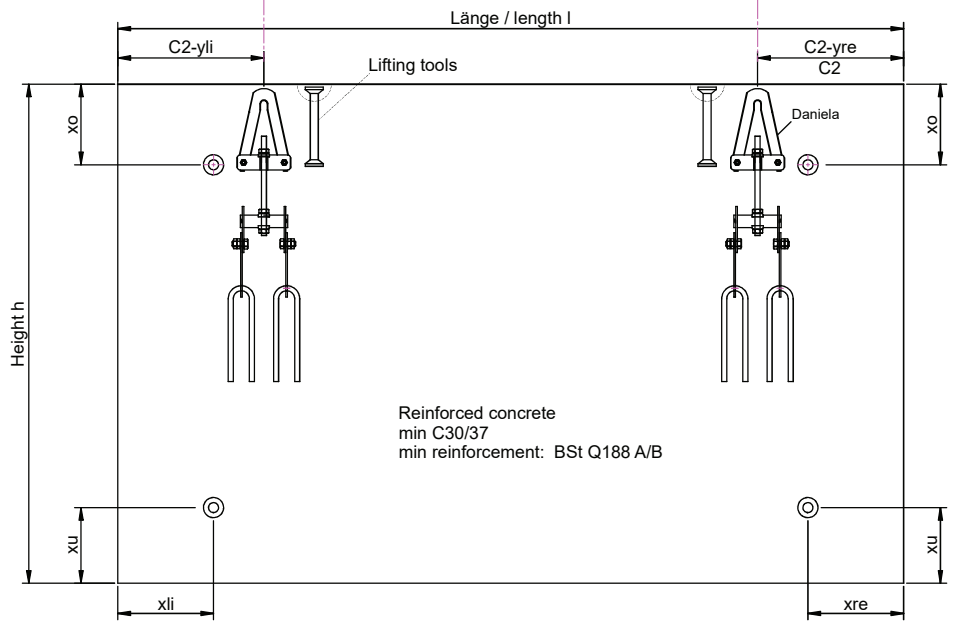
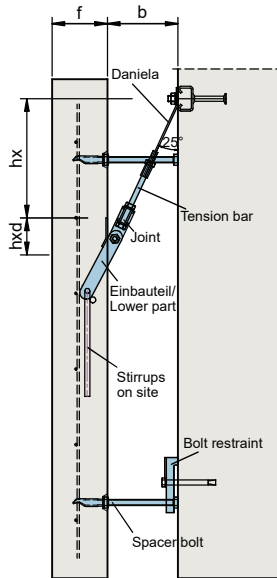
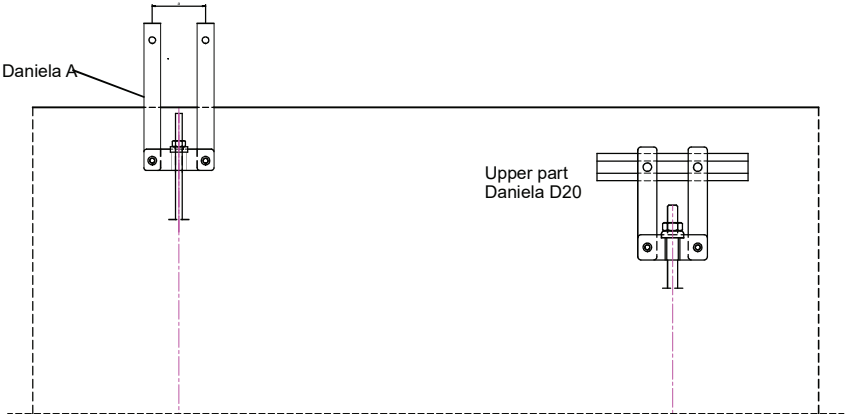
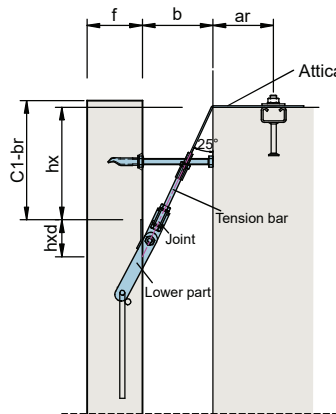


ETA-21/0146 PA2- Panel Anchor

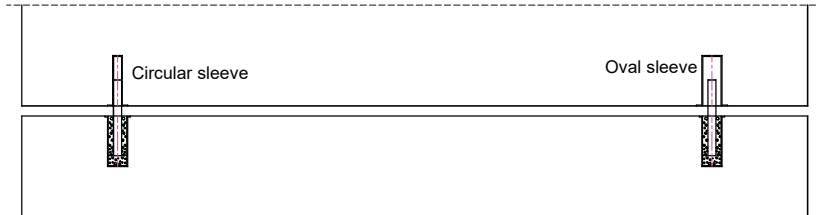
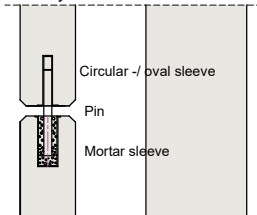




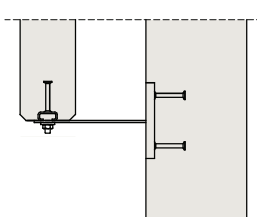
ETA-21/0146 PA2- Panel Anchor



Pin system



Anchor channel with wall tees



Min. Dimension (mm)

Type	A	B	C	D	E
f	80	80	90	110	110
C1-br	100	100	100	196	196
C2-yli / yre	110	110	120	190	190
xli / xre	80	100	100	110	110
xo / xu	80	100	100	110	110

ETA-21/0146 PA2- Panel Anchor

Description

There are usually two Façade anchor per plate as symmetrical as possible arranged. Sufficient for narrow panels mostly a facade anchor.

The pressure screws serve as spacers. With facade panels arranged one above the other are mostly the lower pressure screws through Pins replaced.

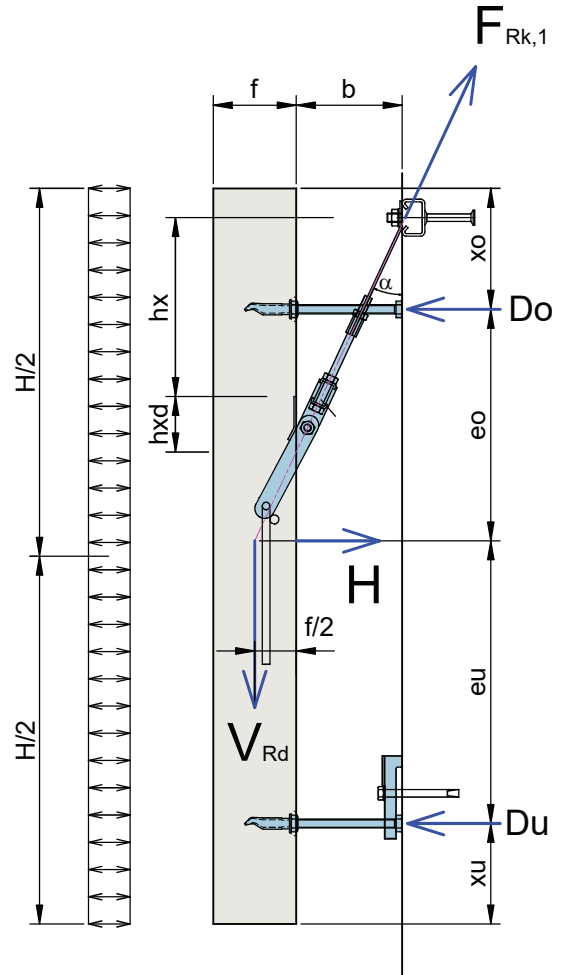
For forces lifted by wind suction the pressure screws must through Suction holder are held horizontally.

Design

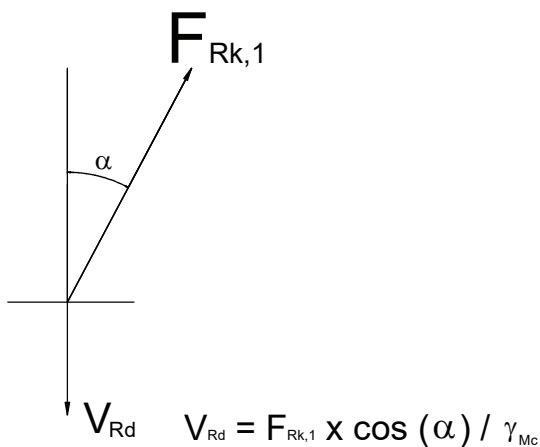
The load-bearing capacity of the PA2 facade anchor is regulated according to ETA-21/0146.

All facade anchor parts are made of stainless steel. The parts are riveted together without a weld. The assembly parts are pre-assembled at the factory.

The arrangement and choice of facade anchor types are made by HAZ PA2 design program. Download: <http://www.haz.eu/en/software/>



$$hx+hxd = b / \tan(\alpha)$$



Condition

$$V_d \leq V_{Rd}$$

Type	A	B	C	D	E
$F_{Rk,1}$ (kN)	19,4	25,0	35,6	52,6	85,8
α (-)	25	25	25	25	25
γ_{Mc} (-)	1,5	1,5	1,5	1,5	1,5
V_{Rd} (kN)	11,7	15,1	21,5	31,8	51,8