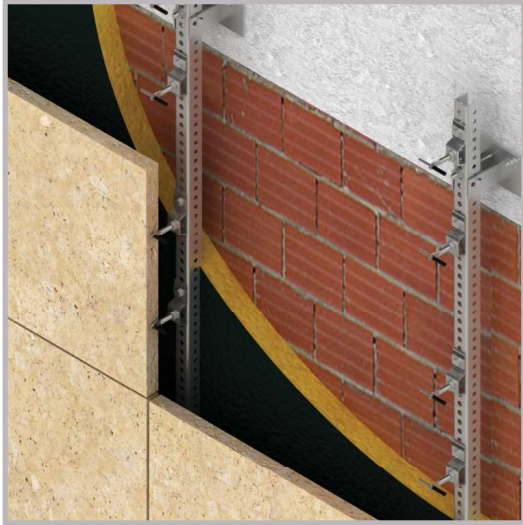


HMPA-HC2 Sub Channel System - Introduction



- Sub channel system with stainless steel or galvanized steel **HMPA** type U channels and **HCSP** supports
- High load bearing channel systems
- Adjustability in all directions up to +/- 30 mm
- Projection sizes minimum 90 mm maximum 360 mm
- Ideal for heavy loads and large projection sizes
- Stainless steel **HZ02** Z anchors are fixed to channels with hex bolts.
- Installation in vertical and horizontal joints

HMPA U Channel



HCSP2 Channel support



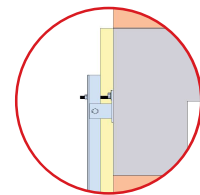
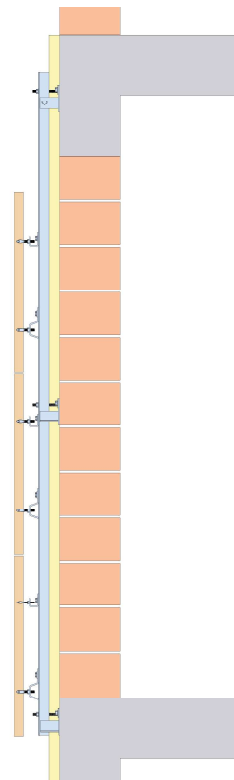
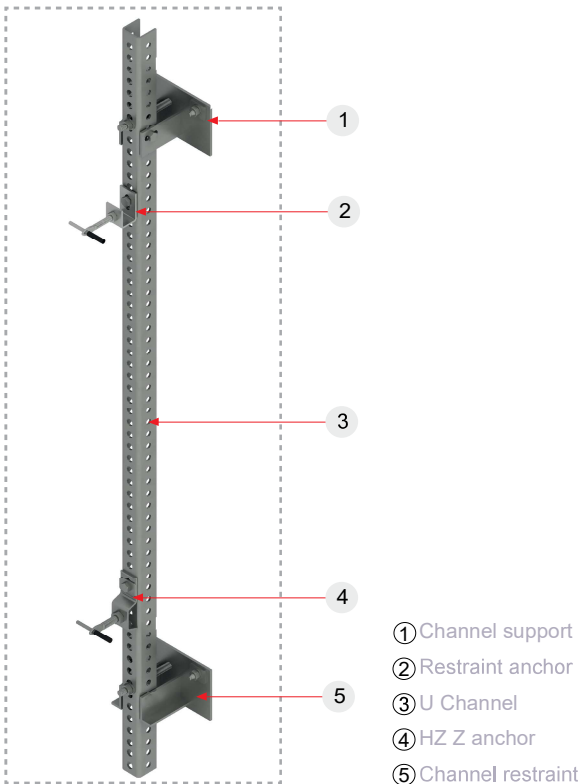
HCRS2 Channel restraint



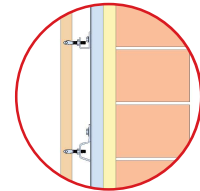
HZ02 Z Anchor



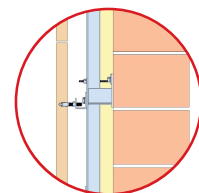
HRS1 Restraint anchor



Channels supported on to load bearing concrete beams with **HCSP2** channel supports using anchor bolts



Stone installation is made with **HZ02** & **HRS1** Anchors on to channels with hex bolts



Channels are tied on to walls with **HCRS2** Channel restraints to eliminate deflection